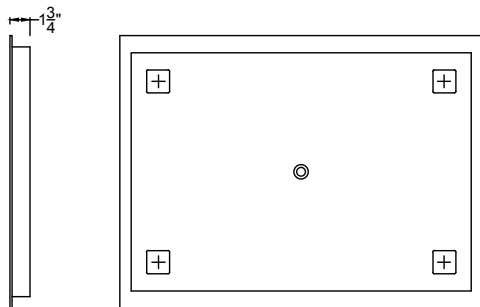
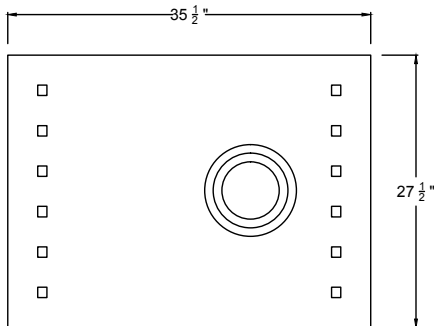


Spa World Products



Fog-Free Frameless Mirror, Large

MIR02



Features

- Open, frameless design matches with any style of bathroom and décor
- Fog resistant system keeps the surface from fogging
- fluorescent lights perfectly situated for even lighting
- 3x Magnifying surface
- Simple, straight forward installation and operation
- 27.6" H x 35.4" W x 2" L
- Not intended to be used inside shower or in a sauna
- Lighting around magnifying surface

Specifications

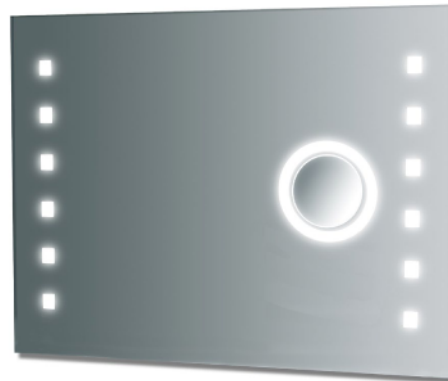
- 27.6" H x 35.4" W x 2" L
- 32 lbs Net Weight
- 31.25" H x 38" W x 3.25" L
- 36 lbs Gross Weight
- Silver
- Factory Wired for 120V / 60Hz

Application/Catagory

- Vanity

Warranty

- 30 day return



spaworldcorp

Spa World Corp / www.SpaWorldCorp.com

Ph: (866) 588-8008 / Fax: (866) 560-1060

Email: info@spaworldcorp.com